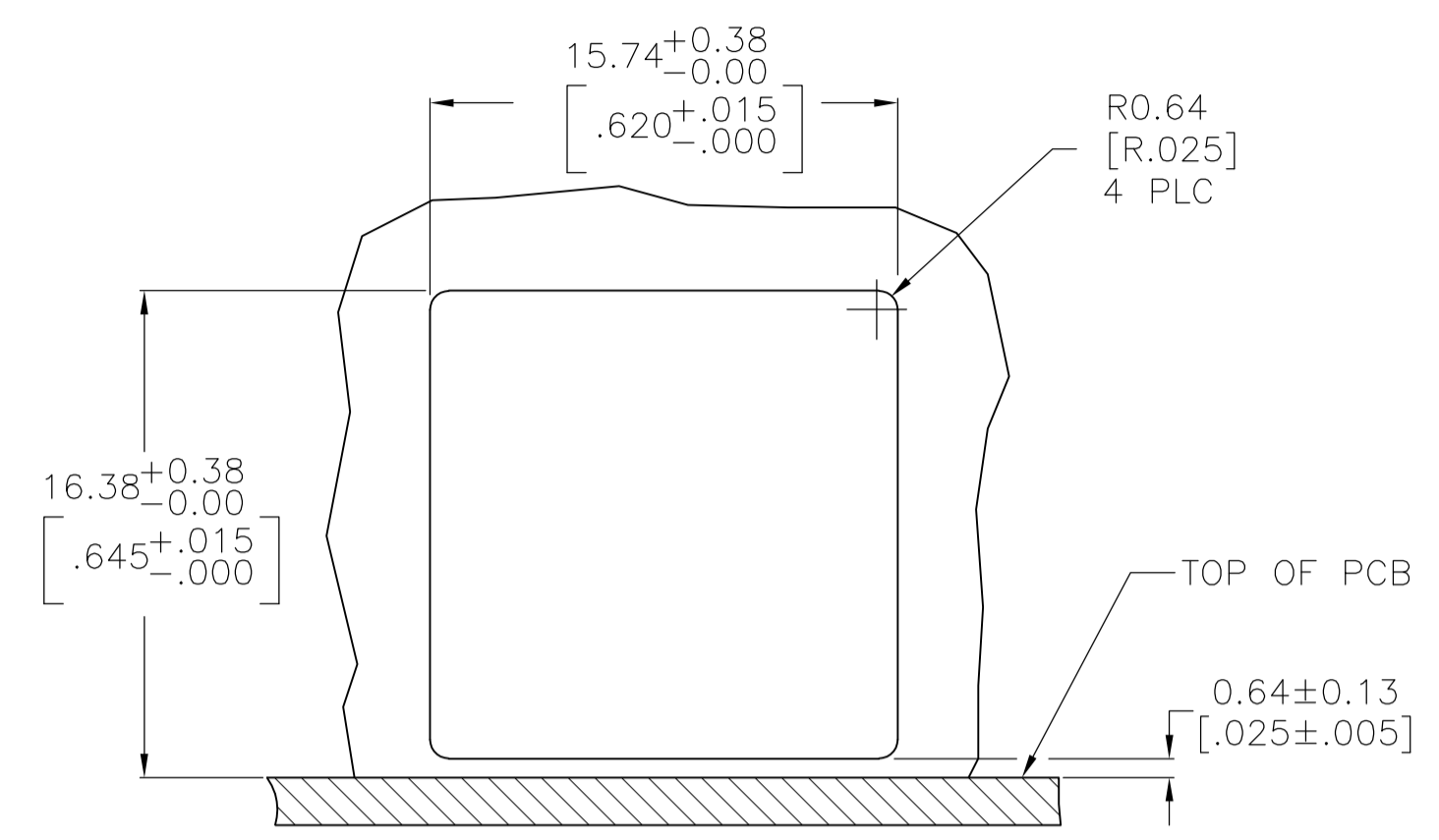
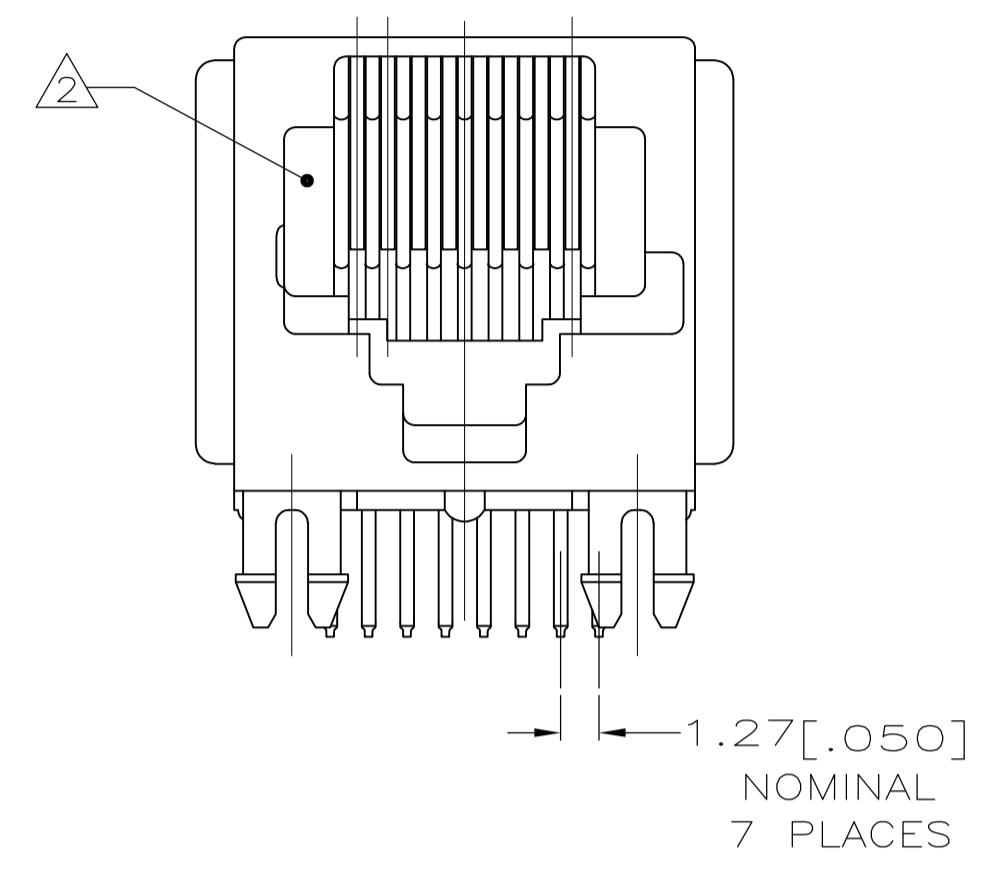
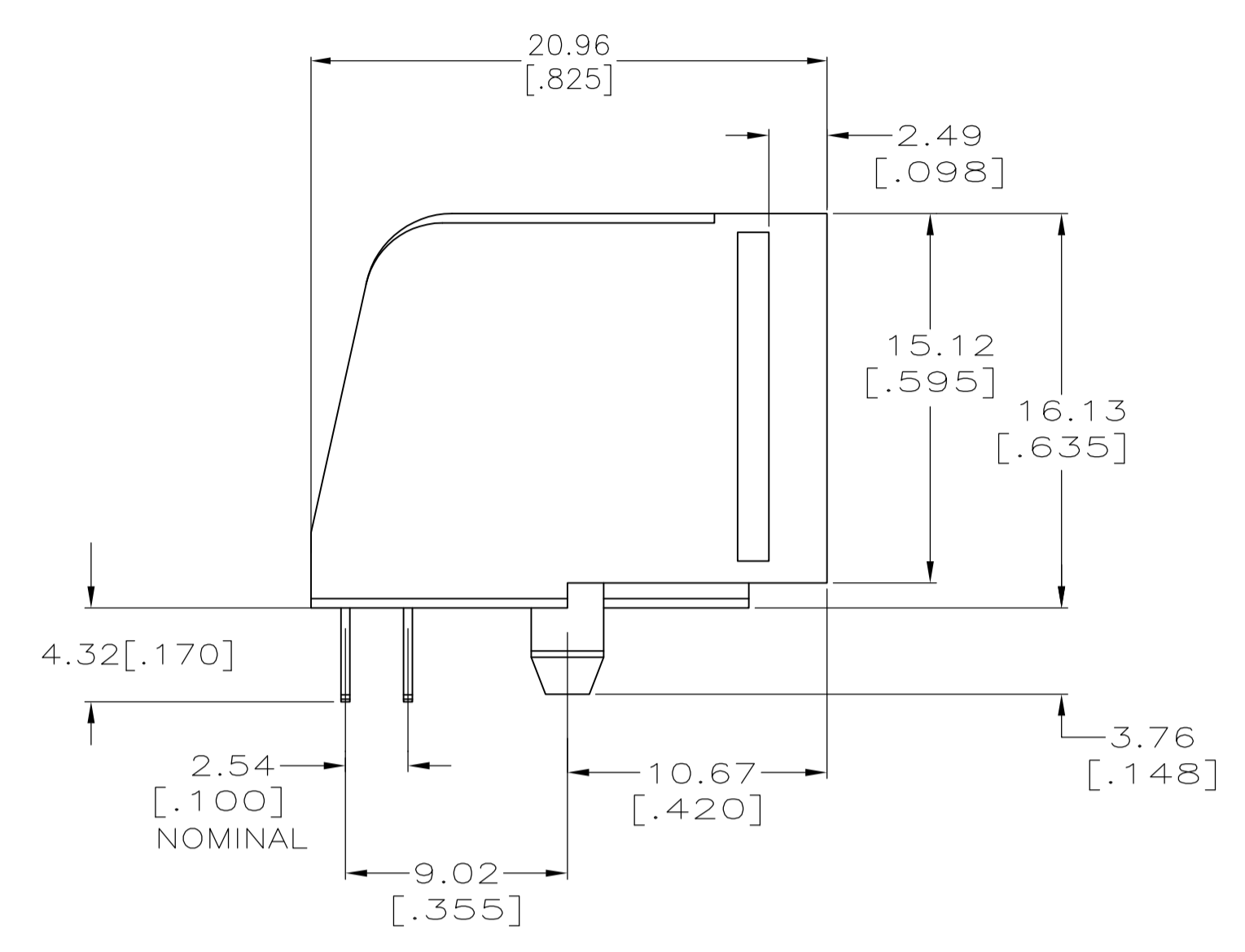
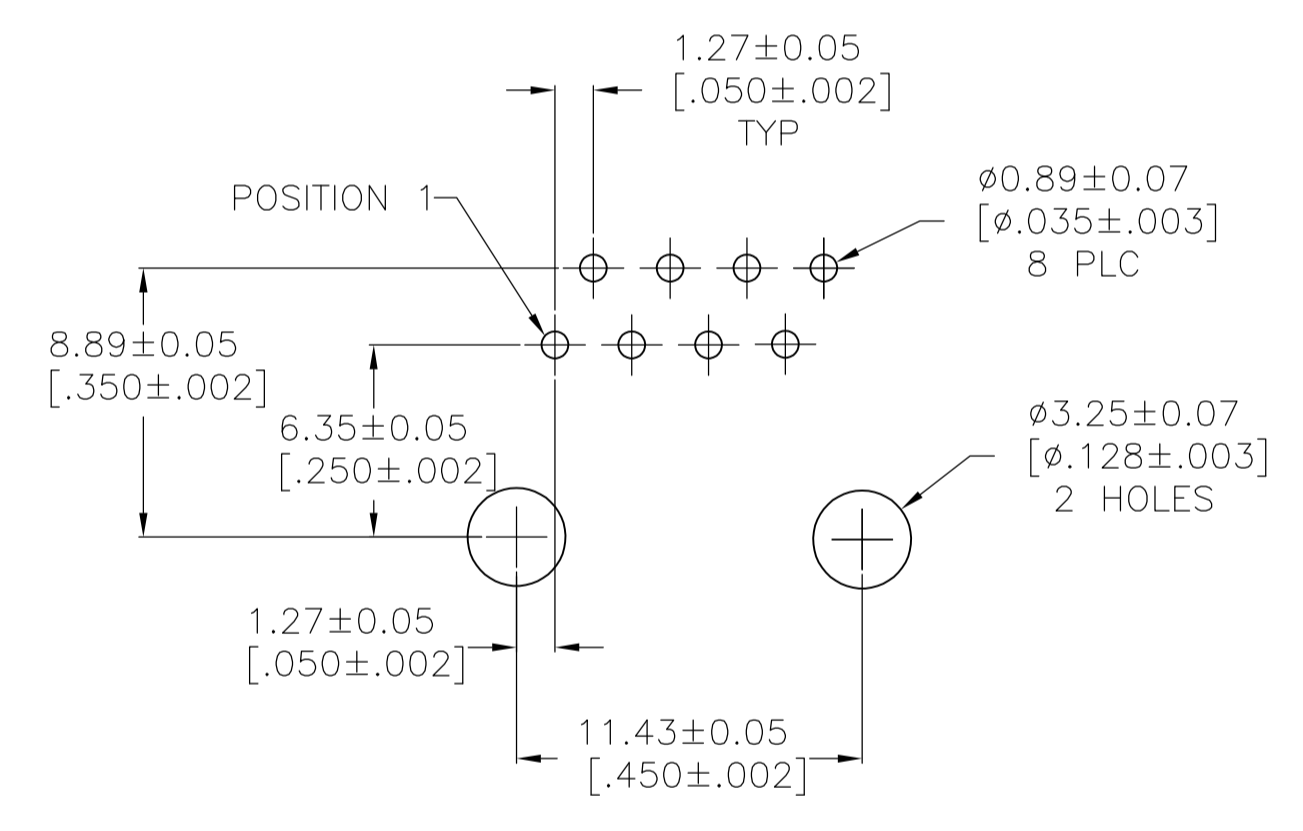
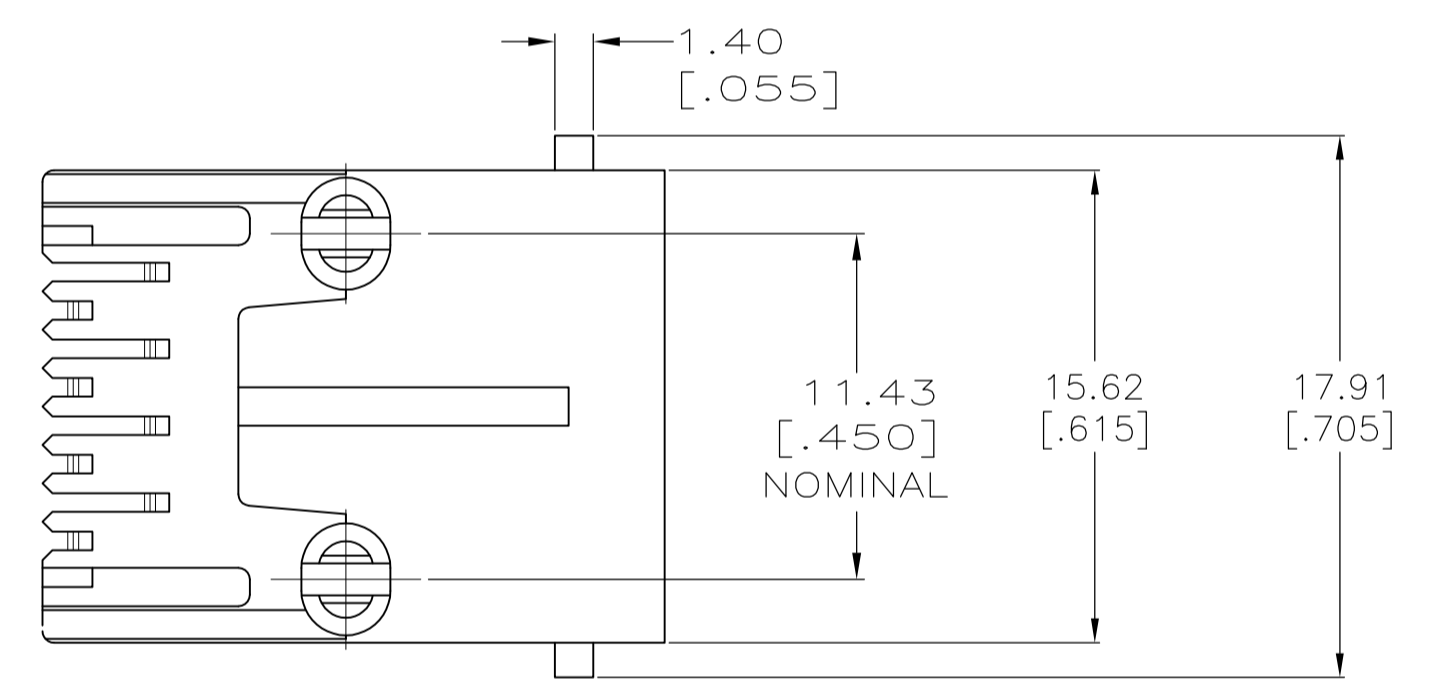


LOC		DIST		REVISIONS			
P	LTR	DESCRIPTION	DATE	DWN	APVD		
B1		REVISED PER ECO-11-005033	23MAR11	RK	HMR		



- MATERIAL: HOUSING PBT POLYESTER, COLOR: BLACK. TERMINAL-0.36 [.014] THICK PHOS-BRONZE PLATED WITH 1.27um [.000050] MINIMUM THICK HARD GOLD IN LOCALIZED GOLD PLATE AREA AND 3.81um [.000150] MINIMUM THICK MATTE TIN IN SOLDER AREA OVER 1.27um [.000050] MINIMUM THICK NICKEL UNDERPLATE.
- CAVITY CONFORMS TO FCC RULES AND REGULATIONS PART 68 AND REA BULLETIN 345-81, PE-76 SPECIFICATION FOR MODULAR TELEPHONE HARDWARE.
- ALL DIMENSIONS SHOWN ARE MAXIMUM UNLESS OTHERWISE SPECIFIED.



RECOMMENDED PRINTED CIRCUIT BOARD LAYOUT COMPONENT SIDE SHOWN

8	5520252-4
CONTACTS	PART NUMBER

THIS DRAWING IS A CONTROLLED DOCUMENT.		DIN G. ATTADIA - 06/JUN/2005		STE Connectivity	
DIMENSIONS: mm [INCHES]		CHK J. WESTMAN 06/JUN/2005		NAME	
TOLERANCES UNLESS OTHERWISE SPECIFIED:		APVD S. FLICKINGER 06/JUN/2005		MODULAR JACK ASSEMBLY, SIDE ENTRY, 8 POSITION, KEYED, FLANGELESS, WITH PANEL STOPS	
0 PLC ± -		PRODUCT SPEC		SIZE	
1 PLC ± -		108-1163		CAGE CODE	
2 PLC ± 0.13 [.005]		APPLICATION SPEC		DRAWING NO	
3 PLC ± -		114-2048		RESTRICTED TO	
4 PLC ± -		WEIGHT		A1 00779	
ANGLES ± -		CUSTOMER DRAWING		SCALE 4:1 SHEET 1 OF 1 REV B1	
MATERIAL SEE NOTE 1		FINISH SEE NOTE 1		C=5520252	